

SOWDEN

2024

Following research into new lighting ideas, SOWDEN was founded in the Autumn of 2021- the results of this research and product concepts were shown in Milano during Super Salone in September of the same year.

The first commercial catalogue was presented in June 2022, during the Milano Design Week.

Since then, SOWDEN has created a comprehensive collection of lighting designs and built a distribution network in many countries.

The creative process and development of their product ideas into products relies on continuous contact with manufacturing organisations allowing SOWDEN access to many innovative technologies and industrial methods.

Their design office and showroom are based in Milano.

In addition to recently adding lifestyle accessories and furniture items to their catalogue, SOWDEN continues to research and develop new lighting ideas.

LAMPS

page 6 - 15

PL1



PL2



PL4



PL5

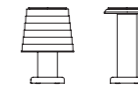
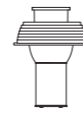


TABLE LAMPS

page 16 - 21

TL2



TL4



CEILING LAMPS

page 22 - 33

CL1



CL2



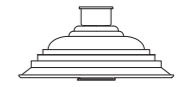
CL3



CL4



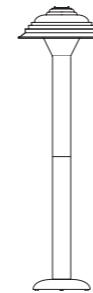
CL5



FLOOR LAMP

page 34 - 35

FL4



LIFESTYLE

page 36 - 47

THERMAL FLASK



TIN BOX SET



PEPPER & SALT



TIN BOX





LIGHT



DUAL FUNCTIONALITY LAMPS

USB connection to power supply or Li-ion batteries

The SOWDEN Lamps PL1, PL2, PL4 and PL5 have been designed and developed with dual functionality - they can be used both as fixed lighting when connected to a power supply with a USB cable, or as moveable lamps using the Li-ion batteries supplied.

When used as fixed lighting, which could be on a bedside table, between books on a shelf or on an office desk, the dual functionality allows direct connection to a power supply with a USB cable, and even if the batteries are not inserted, the lamps will work perfectly.

If used as moveable lamps, SOWDEN supplies 18650 2600mAh Li-ion rechargeable batteries making the lamps convenient for places where electrical connections are not easily available - this gives the possibility to take light safely anywhere indoors or outdoors

Available in four design variations, PL1, PL2, PL4 and PL5, they all have three brightness settings, which can be set by gently touching the top of our SOWDEN LightDisc.

The 18650 2600mAh Li-ion rechargeable batteries are easily fitted and are replaceable whenever needed - they can be swapped with fully charged ones rather than relying on recharging with the USB - for example, in restaurants changing the batteries can be done quickly, and customers are never left in the dark.

DUAL FUNCTIONALITY
LAMP PL1



USB connection to power supply or Li-ion batteries

The SOWDEN Lamp PL1 has been designed and developed with dual functionality - it can be used both as fixed lighting when connected to a power supply with a USB cable, or as a moveable lamp using the Li-ion battery supplied.

When used as a fixed lighting, which could be on a bedside table, between books on a shelf or on an office desk, the dual functionality allows direct connection to a power supply with a USB cable, and even if the battery is not inserted, the lamp will work perfectly.

If used as a moveable lamp, SOWDEN supplies one 18650 2600mAh Li-ion rechargeable battery making the lamp convenient in places where electrical connections are not easily available - this gives the possibility to take light safely anywhere indoors or outdoors

Available in four color variations, PL1 has three brightness settings, which can be set by gently touching the top of the lamp - full brightness is 250 lumens maximum from our SOWDEN LightDisc 01.

The 18650 2600mAh Li-ion rechargeable battery is easily fitted and is replaceable whenever needed - it can be swapped with a fully charged one rather than relying on recharging with the USB - for example, in restaurants changing the battery can be done quickly, and customers are never left in the dark.

The light source is a Sowden LightDisc-01, and the single 18650 2600mAh battery are both fully replaceable when required.

It takes approximately three hours to fully charge the battery.



<p>Suitable for indoor and outdoor, dry locations.</p>		<p>Light time from fully charged battery 4 to 16+ hour depending brightness level Battery charging time 3 hours</p> <p>MATERIAL: ABS, silicone, aluminium The silicone shade is easily removed for cleaning.</p> <p>INPUT: DC 5 V, 1.0 A</p> <p>LI-ION: 1x Li-ion 3,7V, 2600mAh</p> <p>LAMP TYPE: 3.5W LED Maximum brightness is 250 lumen.</p>
<p>The brightness of the SOWDEN LED DISC is dimmable to suit use and it has three settings, controlled by tapping the top of the lamp.</p>		

DUAL FUNCTIONALITY
LAMP PL2



USB connection to power supply or Li-ion batteries

The SOWDEN Lamp PL2 has been designed and developed with dual functionality - it can be used both as fixed lighting when connected to a power supply with a USB cable, or as a moveable lamp using the Li-ion batteries supplied.

When used as fixed lighting, which could be on a bedside table, between books on a shelf or on an office desk, the dual functionality allows direct connection to a power supply with a USB cable, and even if the batteries are not inserted, the lamp will work perfectly.

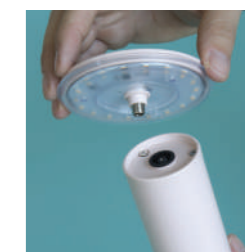
If used as a moveable lamp, SOWDEN supplies two 18650 2600mAh Li-ion rechargeable batteries making the lamp convenient in places where electrical connections are not easily available - this gives the possibility to take light safely anywhere indoors or outdoors

Available in two color variations, PL2 has three brightness settings, which can be set by gently touching the top of the lamp - full brightness is 250 lumens maximum from our SOWDEN LightDisc 01.

The two 18650 2600mAh Li-ion rechargeable batteries are easily fitted and are replaceable whenever needed - they can be swapped with fully charged ones rather than relying on recharging with the USB - for example, in restaurants changing the batteries can be done quickly, and customers are never left in the dark.

The light source is a Sowden LightDisc-01, and the two 18650 2600mAh batteries are both fully replaceable when required.

It takes approximately four hours to fully charge the batteries.



<p>○ Suitable for indoor and outdoor, dry locations.</p>		<p>Light time from fully charged battery 6 to 20+ hour depending brightness level Battery charging time 4 hours</p>
<p>The brightness of the SOWDEN LED DISC is dimmable to suit use and it has three settings, controlled by tapping the top of the lamp.</p>		<p>MATERIAL: ABS, silicone, aluminium The silicone shade is easily removed for cleaning.</p>
		<p>INPUT: DC 5 V, 1.0 A</p>
		<p>LI-ION: 2x Li-ion 3,7V, 2600mAh</p>
		<p>LAMP TYPE: 3.5W LED Maximum brightness is 300 lumen.</p>

DUAL FUNCTIONALITY
LAMP PL4



USB connection to power supply or Li-ion batteries

The SOWDEN Lamp PL4 has been designed and developed with dual functionality – it can be used both as fixed lighting when connected to a power supply with a USB cable, or as a moveable lamp using the Li-ion batteries supplied.

When used as fixed lighting, which could be on a bedside table, between books on a shelf or on an office desk, the dual functionality allows direct connection to a power supply with a USB cable, and even if the batteries are not inserted, the lamps will work perfectly.

If used as a moveable lamp, SOWDEN supplies two 18650 2600mAh Li-ion rechargeable batteries making the lamp convenient in places where electrical connections are not easily available - this gives the possibility to take light safely anywhere indoors or outdoors


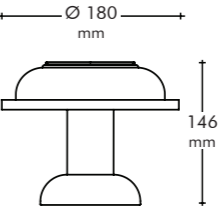
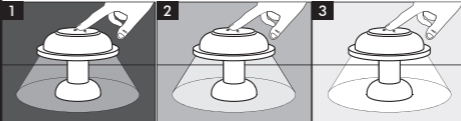
PL4 has three brightness settings, which can be set by gently touching the top of the lamp - full brightness is 250 lumens maximum from our SOWDEN LightDisc 01.

The two 18650 2600mAh Li-ion rechargeable batteries are easily fitted and are replaceable whenever needed – they can be swapped with fully charged ones rather than relying on recharging with the USB – for example, in restaurants changing the batteries can be done quickly, and customers are never left in the dark.

The light source is a Sowden LightDisc-01, and the two 18650 2600mAh batteries are both fully replaceable when required.

It takes approximately four hours to fully charge the batteries.



<p> Suitable for indoor and outdoor, dry locations.</p>		<p>Light time from fully charged battery 6 to 20+ hour depending brightness level Battery charging time 4 hours</p>
<p>The brightness of the SOWDEN LED DISC is dimmable to suit use and it has three settings, controlled by tapping the top of the lamp.</p> 		<p>MATERIAL: ABS, silicone, aluminium The silicone shade is easily removed for cleaning.</p>
		<p>INPUT: DC 5 V, 1.0 A</p>
		<p>LI-ION: 2x Li-ion 3,7V, 2600mAh</p>
		<p>LAMP TYPE: 3.5W LED Maximum brightness is 300 lumen.</p>

DUAL FUNCTIONALITY
LAMP PL5



USB connection to power supply or Li-ion batteries

The SOWDEN Lamp PL5 has been designed and developed with dual functionality - it can be used both as fixed lighting when connected to a power supply with a USB cable, or it can be used as moveable lamp using the Li-ion battery supplied.

When used as fixed lighting, which could be on a bedside table, between books on a shelf or on an office desk, the dual functionality allows direct connection to a power supply with a USB cable, and even if the battery is not inserted, the lamp will work perfectly.

If used as a moveable lamp, SOWDEN supplies one 18650 2600mAh Li-ion rechargeable battery making the lamp convenient in places where electrical connections are not easily available - this gives the possibility to take light safely anywhere indoors or outdoors

Available in two variations PL5 has three brightness settings, which can be set by gently touching the top of the lamp - full brightness is 250 lumens maximum from our SOWDEN LightDisc 01.

The single 18650 2600mAh Li-ion rechargeable battery is easily fitted and is replaceable whenever needed - it can be swapped with a fully charged one rather than relying on recharging with the USB - for example, in restaurants changing the batteries can be done quickly, and customers are never left in the dark.

The light source is a Sowden LightDisc-01, and the single 18650 2600mAh battery are both fully replaceable when required.

It takes approximately three hours to fully charge the battery.





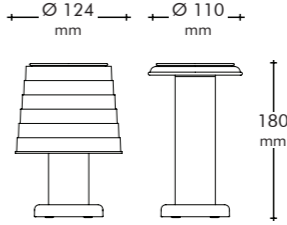
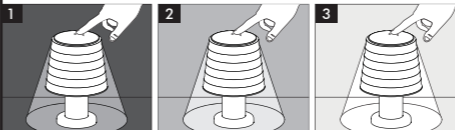
  Suitable for indoor and outdoor, dry locations.		Light time from fully charged battery 4 to 16+ hour depending brightness level Battery charging time 3 hours
The brightness of the SOWDEN LED DISC is dimmable to suit use and it has three settings, controlled by tapping the top of the lamp.		MATERIAL: ABS, silicone, aluminium The silicone shade is easily removed for cleaning.
		INPUT: DC 5 V, 1.0 A
		LI-ION: 1x Li-ion 3,7V, 2600mAh
		LAMP TYPE: 3.5W LED Maximum brightness is 250 lumen.



TABLE LAMPS

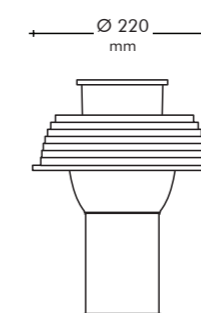
The Table Lamps are created using the SOWDEN silicone shades supported by a custom designed lampstand.

LIGHTBULB IS NOT SUPPLIED.

The lightbulb used should be LED technology, maximum 15W.

The market offers lightbulbs with different Kelvin (light temperature) and Lumen (brightness) values, choose a lightbulb corresponding to lighting requirements. The market also offers 'smart' bulbs which have the dimming function and other interesting lighting features controlled from an app.

TABLE LAMP TL2



285
mm


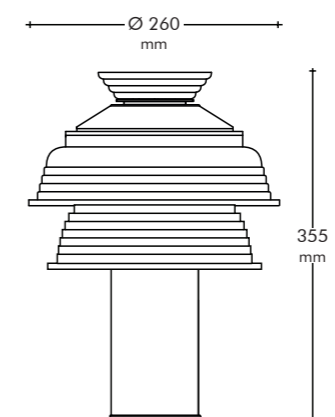


<p>MATERIAL: Painted aluminium and ABS body, silicone shade The silicone shades can easily be removed for cleaning.</p>
<p>INPUT: 220-240V 50-60Hz / America and Canada: 110V</p>
<p>LAMP BULB TYPE: E27 LED lightbulb max 15W (not included) Cable switch, Supplied with EU plug</p>

TABLE LAMP TL4




<p>MATERIAL: Painted aluminium and ABS body, silicone shade The silicone shades can easily be removed for cleaning.</p>
<p>INPUT: 220-240V 50-60Hz / America and Canada: 110V</p>
<p>LAMP BULB TYPE: E27 LED lightbulb max 15W (not included) Cable switch, Supplied with EU plug</p>

CEILING LAMPS

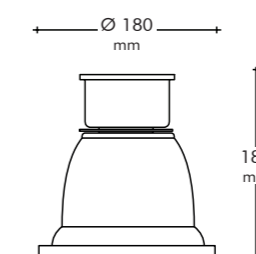
The Ceiling Lamps are created using the SOWDEN silicone shades which are assembled together by our custom designed Holder Piece which fits to any standard E27 light bulb holder.

LIGHTBULB IS NOT SUPPLIED.

The lightbulb used should be LED technology, maximum 15W.

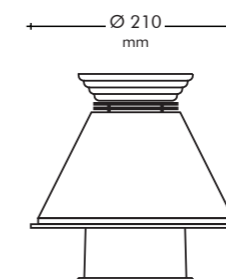
The market offers lightbulbs with different Kelvin (light temperature) and Lumen (brightness) values, choose a lightbulb corresponding to lighting requirements. The market also offers 'smart' bulbs which have the dimming function and other interesting lighting features controlled from an app.

CEILING LAMP CL1



<p>MATERIAL: ABS, silicone The silicone shades can be disassembled for easy cleaning</p>
<p>Lampshade sold individually. Ceiling rose plus cable sold separately.</p>
<p>Compatible with all sockets with an E27/E26 base</p>
<p>Bulb (not included)</p>

CEILING LAMP CL2



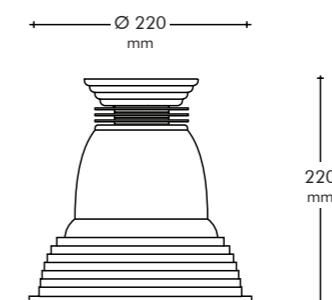
MATERIAL: ABS, silicone
The silicone shades can be disassembled for easy cleaning

Lampshade sold individually.
Ceiling rose plus cable sold separately.

Compatible with all sockets with an E27/E26 base

Bulb (not included)

CEILING LAMP CL3



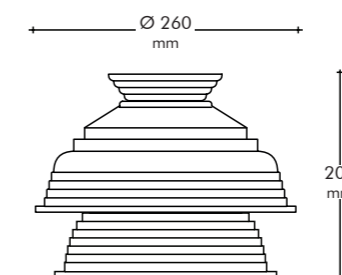
MATERIAL: ABS, silicone
The silicone shades can be disassembled for easy cleaning

Lampshade sold individually.
Ceiling rose plus cable sold separately.

Compatible with all sockets with an E27/E26 base

Bulb (not included)

CEILING LAMP CL4



MATERIAL: ABS, silicone
The silicone shades can be disassembled for easy cleaning

Lampshade sold individually.
Ceiling rose plus cable sold separately.

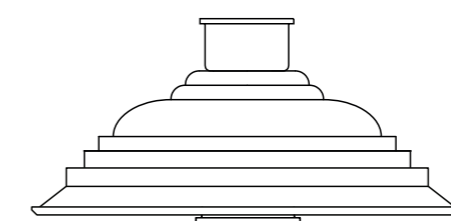
Compatible with all sockets with an E27/E26 base

Bulb (not included)

CEILING LAMP CL5



Ø 410
mm



220
mm

MATERIAL: ABS, silicone
The silicone shades can be disassembled for easy cleaning

Lampshade sold individually.
Ceiling rose plus cable sold separately.

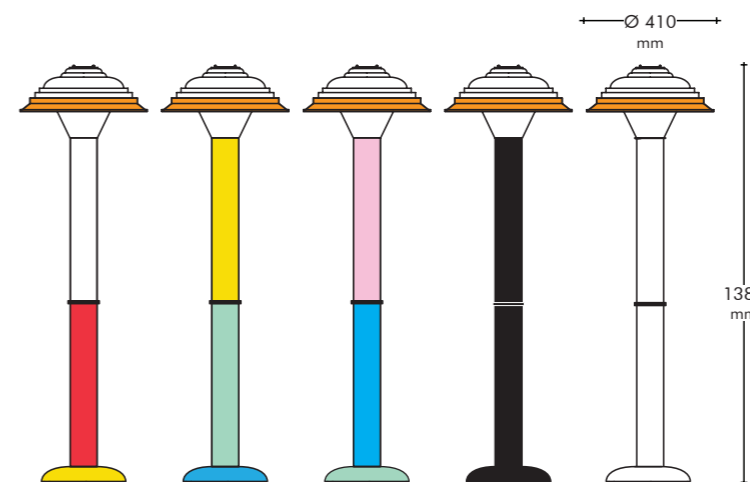
Compatible with all sockets with an E27/E26 base

Bulb (not included)

FLOOR LAMP FL4



FLOOR LAMP



MATERIAL: Painted aluminium and ABS body, silicone shade
The silicone shades can easily be removed for cleaning.

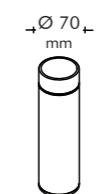
INPUT: 220-240V 50-60Hz / America and Canada: 110V


LAMP BULB TYPE: E27 LED lightbulb max 15W (not included)
Cable switch, Supplied with EU plug

LIFESTYLE

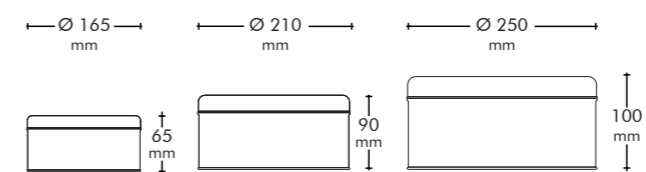


THERMAL FLASK




MATERIAL: Stainless steel 304, PP
VOLUME: 0,4L / 13,5oz
CHARACTERISTICS: Screw cap - Keeps drinks hot and cold

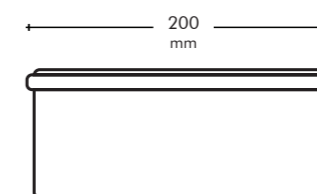
TIN BOX SET



MATERIAL: Tinplate

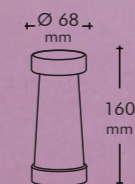
Decorated with three of the characteristic graphics of George Sowden, this set of three tins has multiple functions. They can be used to store small objects, jewellery, small toys... the options are unlimited. When empty, the tins can be nested within each other for easy storage.

TIN BOX



MATERIAL: Tinplate
Decorated with three of the characteristic graphics of George Sowden, this tins has multiple functions. They can be used to store small objects, jewellery, small toys... the options are unlimited.

PEPPER & SALT



MATERIAL: Material: Stainless steel 304, PP
MILL: Alumina ceramic
CHARACTERISTICS: Can be used both for salt and pepper - Easy to adjust the coarseness of the grind



SOWDEN

Corso di Porta Nuova 44, 20121 Milano - ITALIA
info@sowdenlight.com

Photo credits: Alice Fiorilli

